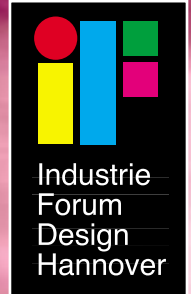
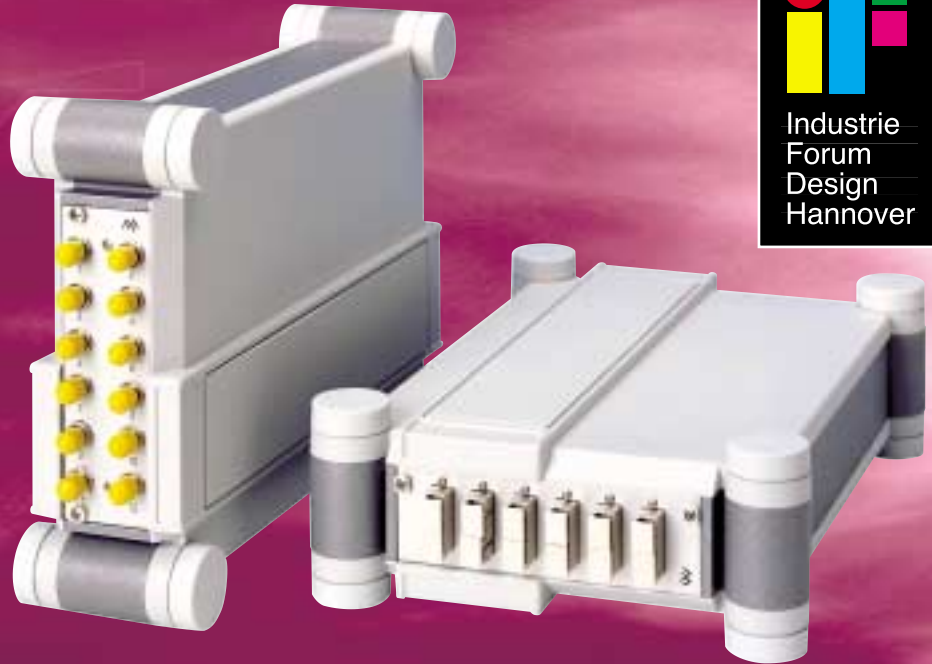


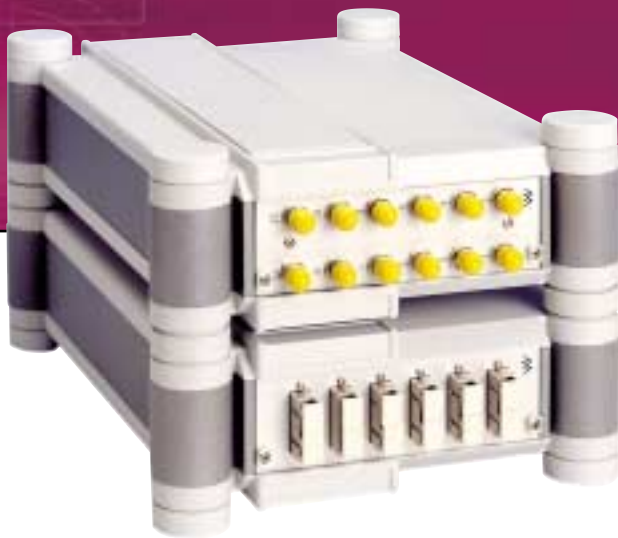


Timeless design

The small case 268's advanced and clean design gives you a competitive advantage.



Sample configuration with network components



Sample configuration with stacking pieces

Small case 268

- for 100mm x 160mm cards
- 100mm x 100mm cards can also be installed from the rear
- terse design
- stackable
- installation dimensions in compliance with IEC 297-3
- side cable access possible
- internal grooves allow you to attach additional components using sliding nuts
- removable plastic panel on top/bottom
- 3 stable installation options:
 - horizontal
 - vertical on the rear side
 - vertical on the side panel
- individual colours and treatments available on request
- can also be used as a LAN office cabinet (see p. 9.8)



Specifications

Application:

for 100mm x 160mm and 100mm x 100mm cards and customized electronic components such as external data storage media

Construction:

Al extrusion side panels with plastic top/bottom pieces attached with screws

Finish:

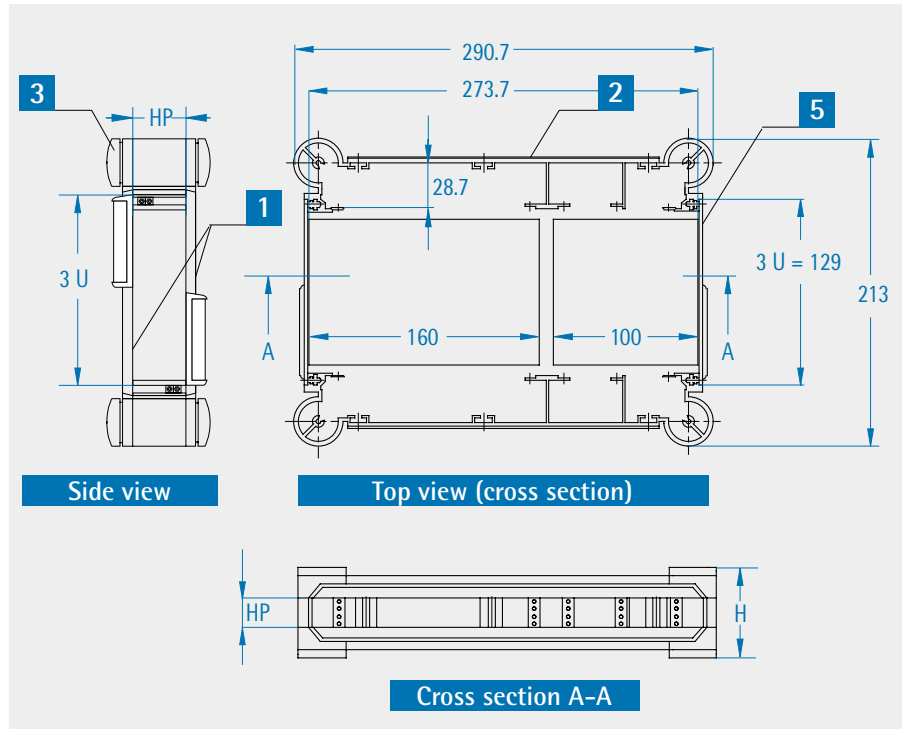
Top/bottom pieces: RAL 7035 light grey
Side sections: RAL 7032 pebble grey

Degree of protection:

IP 30

Delivery:

not assembled



Included in delivery

Item	Pc.	Description
1	2	Top/bottom pieces with removable plastic panel
2	2	Side extrusions
3	8	Feet
4		Assembly material

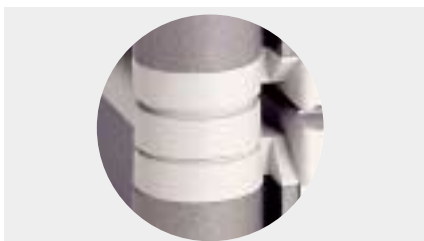
Order information

H mm	HP mm		Case	Part no.	
				Front panel, anodized type C with card holder 5	Front panel/rear panel, anodized type A, solid 5
62.5	4	20.1	268-004	24-3304-60	24-3304-00
67.5	5	25.1	268-005	24-3305-60	24-3305-00
72.5	6	30.2	268-006	24-3306-60	24-3306-00
77.5	7	35.2	268-007	24-3307-60	24-3307-00
83	8	40.3	268-008	24-3308-60	24-3308-00
93	10	50.4	268-010	24-3310-60	24-3310-00
103	12	60.6	268-012	24-3312-60	24-3312-00
113	14	70,8	268-014	24-3314-60	24-3314-00

Other widths (HP) available on request.

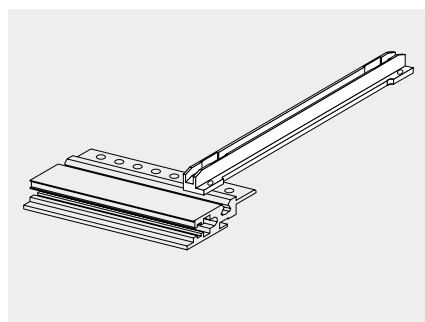
Accessories

Stacking pieces



Part no.
268-103

Card guides



- 100mm card guide, black

Part no.
240-402

- 160mm card guide, grey (listed according to UL 94 V-1)

Part no.
240-401

- 160mm card guide with integrated plug-in connector fixture, black

Part no.
240-407